

CAP A-11
1" X 2 5/8"

STANDARD SUB-RAIL P-3707 W/ SLOT

#10 X 1" HEX HEAD ST. STL. S.M.S. (2) PER CONNECTION TOP & BOTTOM

POST P-6670M
2" X 2" SQ.

PICKET JB-704
.700" SQ.

BOT. RAIL P-5660
1" X 1 1/2" W/ OPTIONAL COVER P-2220

1/4" φ WEEP HOLE

FINISH GROUT @ POST BY G.C.

INTERCHANGEABLE CAP RAILS

INTERCHANGEABLE POST

INTERCHANGEABLE PICKET

INTERCHANGEABLE BOTTOM RAILS

SERIES 300 ALUM. PICKET GUARDRAIL

WITH PUKA-MOUNT POST

A COMMERCIAL STYLE RAILING WITH 2" DEEP ALUMINUM POST FOR USE AT RAILS SERVING AN OCCUPANT LOAD GREATER THAN 50. SERIES 300 ALUMINUM RAILINGS EXCEED THE UBC AND HONOLULU BUILDING CODE LOAD REQUIREMENTS OF " 50 LBS. PER LINEAL FOOT APPLIED HORIZONTALLY AT RIGHT ANGLES TO THE RAILINGS ".

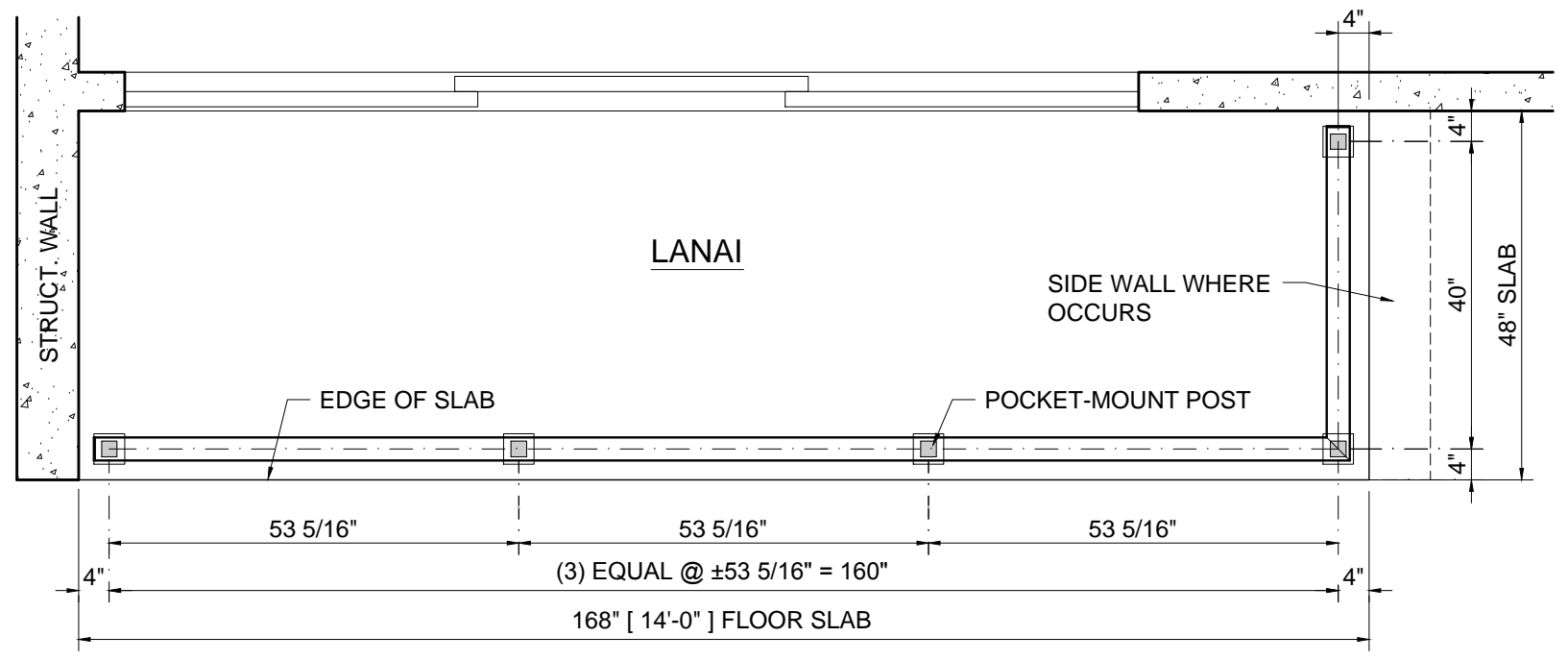
SERIES 300 ALUM. GUARDRAIL

DRAWING TITLE:
POST SECTION
INTERCHANGEABLE PARTS

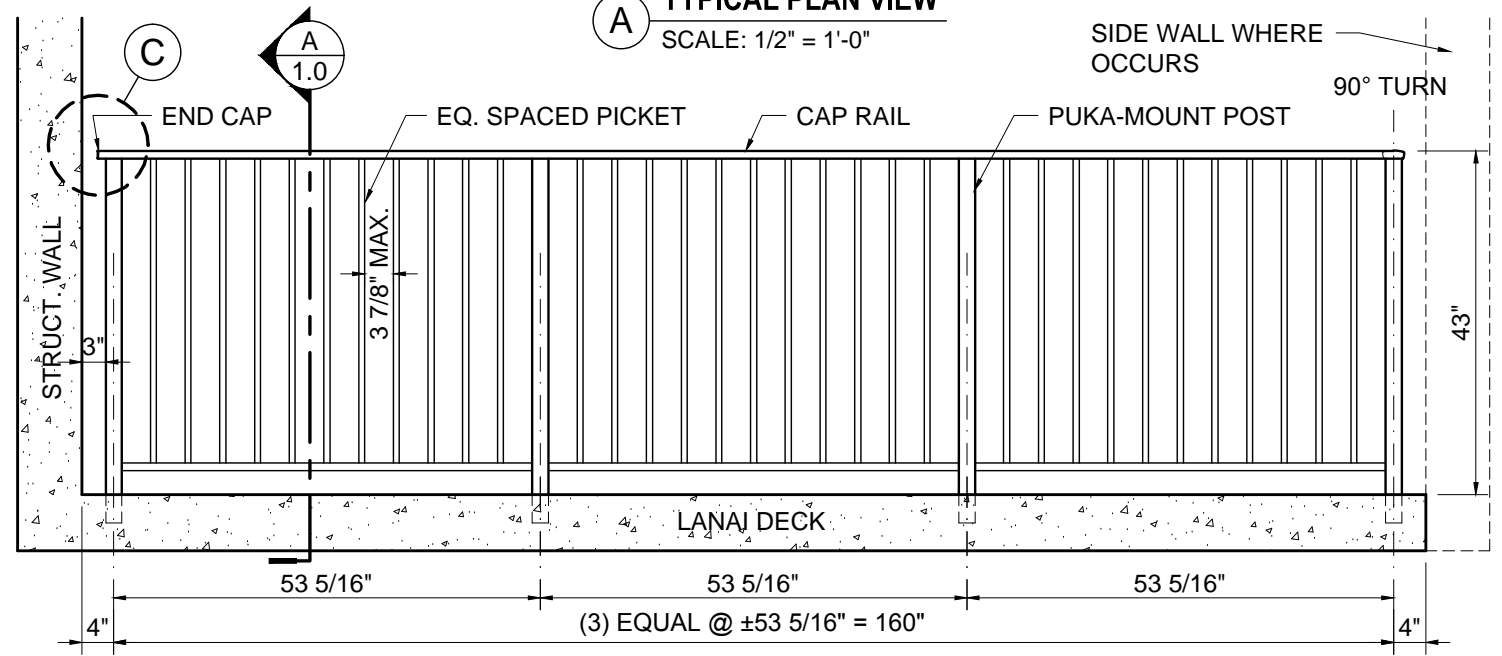
DRAWN BY: JCHU
DATE-MDY: 10-6-2011

DRAWING #:

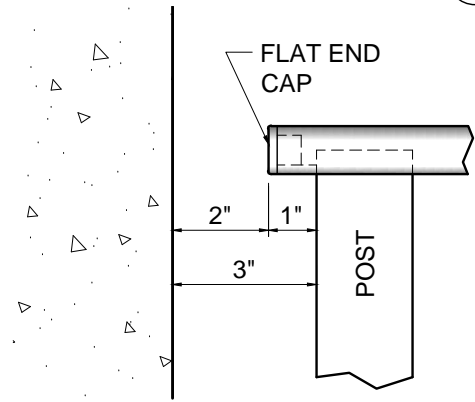
300.1.0



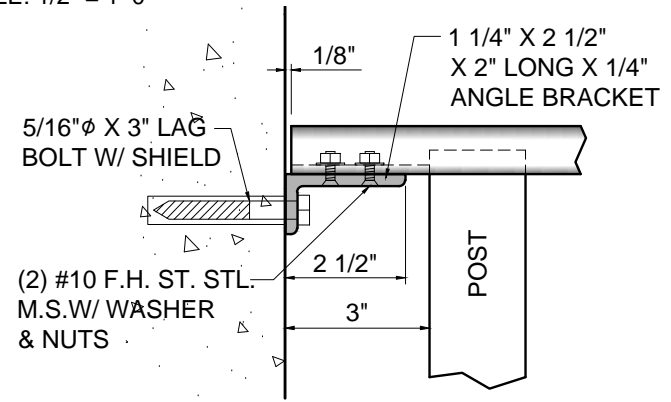
A TYPICAL PLAN VIEW
 SCALE: 1/2" = 1'-0"



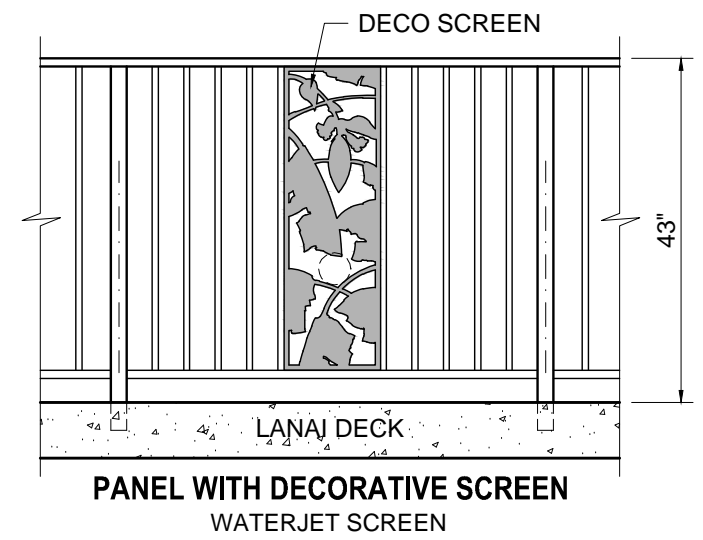
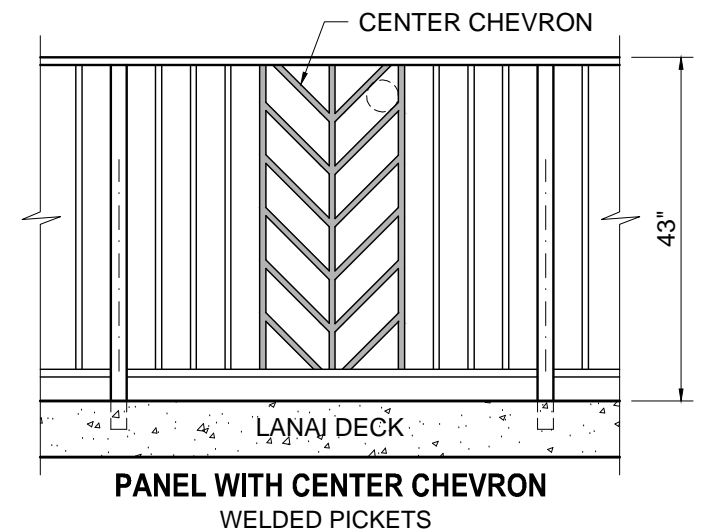
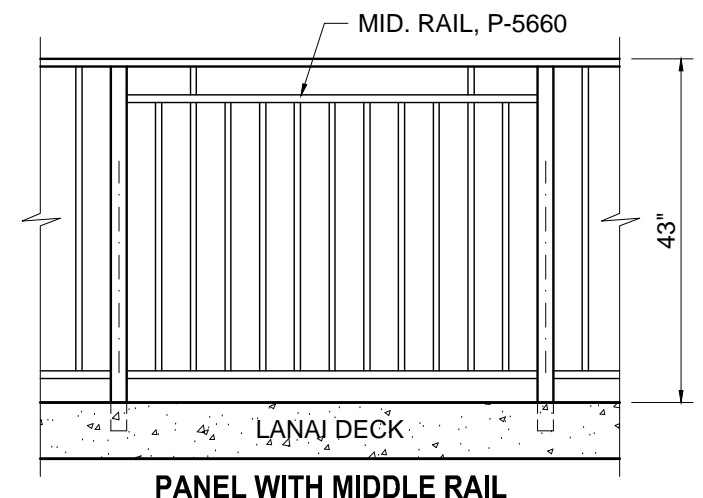
B TYPICAL ELEVATION
 SCALE: 1/2" = 1'-0"



C FLAT END CAP
 SCALE: 3" = 1'-0"



C1 OPTIONAL END BRACKET
 SCALE: 3" = 1'-0"



OPTIONAL PANEL FEATURE

SERIES 300 ALUM. PICKET GUARDRAIL
 WITH PUKA-MOUNT POST

SERIES 300 ALUM. GUARDRAIL

DRAWING TITLE:
 POST SECTION
 INTERCHANGEABLE PARTS

DRAWN BY: JCHU
 DATE-MDY: 10-6-2011

DRAWING #:

300.1.1